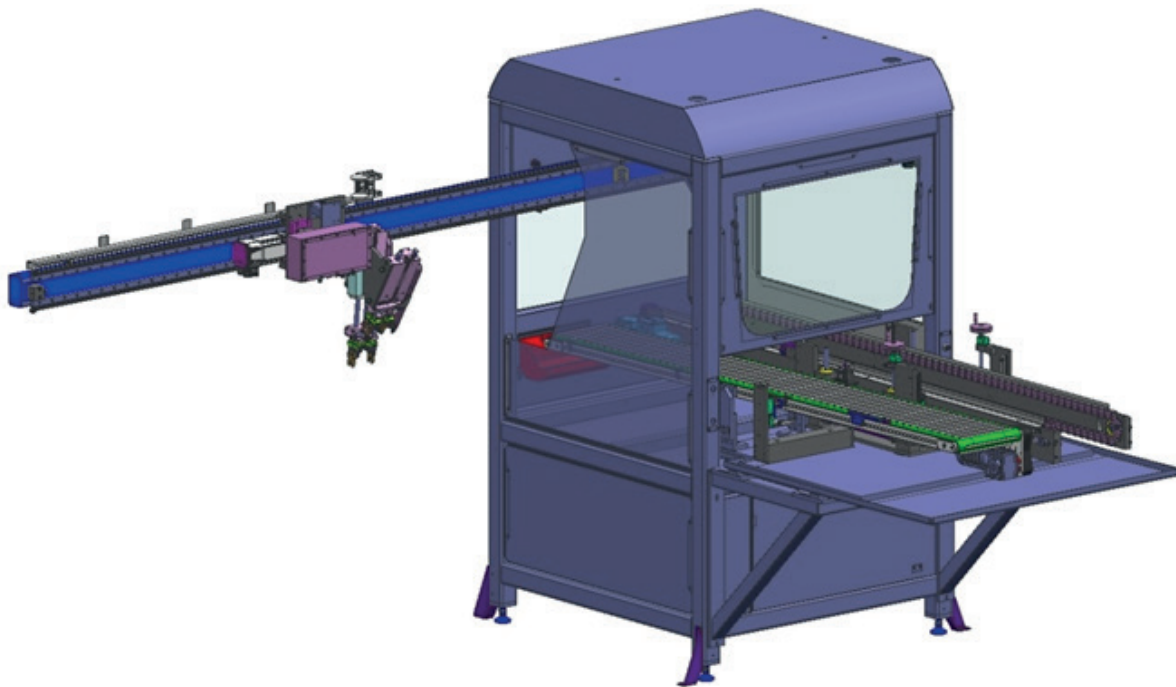


STUDER *easyLoad*

for external and universal cylindrical grinding machines

For machine types S21, S31, S33, S22 and S41 a loader solution is offered on the basis of a portal loader system with V-gripper. The loader system is suitable for shaft components up to a part length of 300 mm and a grip diameter of 4 to 30 mm (max. interfering contour - dia. 50 mm); it therefore covers the majority of the spectrum of parts produced on these machines.

The parts are supplied via a standardized, adjustable synchronized conveyor. The housing for the base module, which has been adapted to suit the machine design, enables safe and clean operation of the system.



Machine types:	S21, S31, S33, S22, S41
Spectrum of parts:	Shaft components, clamping between centers
Autonomy:	50 workpieces with max. diameter 30 mm (1.2")
Workpiece dimensions:	max. part length 300 mm (11.8") / min. part length 20 mm (0.8") max. grip - dia. 30 mm (1.2") / min. grip - dia. 4 mm (0.16") max. interfering contour - dia. 50 mm (2") max. part weight 5 kg (11 lbs)
Workpiece change time:	6 - 8 seconds (excluding synchronous tailstock)
Workpiece supply time:	14 - 16 seconds
Control unit:	Operation and control via Studer CNC
Interface:	Studer CNC integrated

Structure and equipment:

Base frame with casing and set-up door, portal module with 1 carriage, NC-axis, two gripper units in V-arrangement with two pneumatic parallel grippers. Peripheral equipment including synchronized chain conveyor with V-block for rough parts, adjustable to different part sizes, forward and reverse indexing and a synchronized conveyor for finished parts.

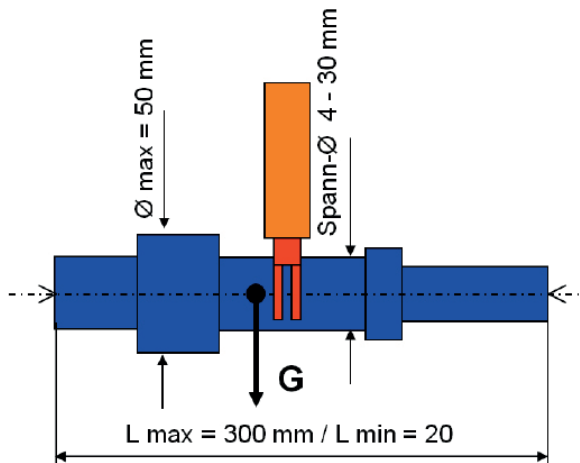
SPC rack on finished parts conveyor

NIO in reject flap (at rear of handling system)

Installation space:

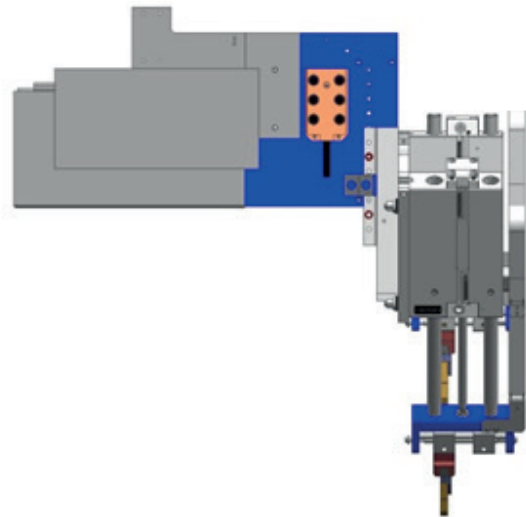
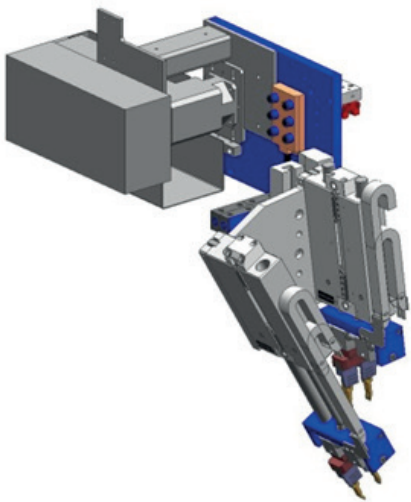
approx. 1200 x 2500 mm (47" x 98")

Part geometrv



Part's center of gravity G should be close to the gripper

Gripper module in V-arrangement with two parallel grippers (standard / basic equipment)



Fritz Studer AG
3602 Thun · Switzerland
Phone +41 33 439 11 11
info@studer.com